



Design Overview


Page 2
REVISION

Page 3
ARM_JTAG_TO_CORTEX_JTAG

TBD

Disclaimer:

Schematic's are for reference only.
NGX Technologies Pvt. Ltd. provides no warranty for the use of
these schematics.

 NGX Technologies Pvt. Ltd.		
Title		
01 COVER		
Size	Document Number	Rev
B	<Doc>	(A)
Date:	Tuesday, May 15, 2012	Sheet 1 of 3

5

4

3

2

1

D

D

C


C

B

B

A

A

		
Title		
02 REVISION		
Size	Document Number	Rev
B	<Doc>	(A)
Date:	Tuesday, May 15, 2012	Sheet 2 of 3

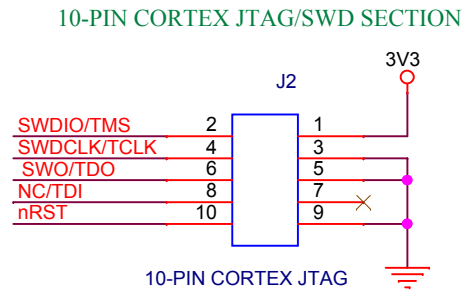
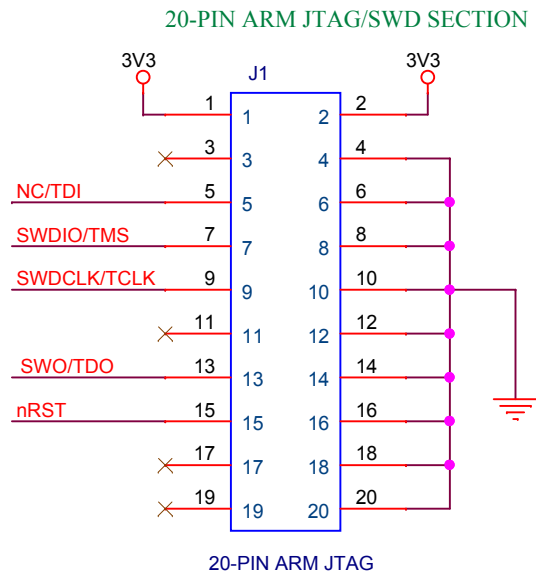
5

4

3

2

1



Title		
ARM_JTAG_TO_CORTEX_JTAG		
Size	Document Number	Rev
A	<Doc>	(A)
Date:	Tuesday, May 15, 2012	Sheet 3 of 3