



Design Overview


Page 2  
REVISION

Page 3  
03 RL78 LQFP 30

TBD

**Disclaimer:**

Schematic's are for reference only.  
NGX Technologies Pvt. Ltd. provides no warranty for the use of  
these schematics.

 <b>NGX Technologies Pvt. Ltd.</b>		
Title		
01 COVER		
Size	Document Number	Rev
B	<Doc>	(A)
Date:	Friday, March 30, 2012	Sheet 1 of 3

5

4

3

2

1

D

D

C


C

B

B

A

A

		NGX Technologies Pvt. Ltd.	
Title			
02 REVISION			
Size	Document Number		Rev
B	<Doc>		(A)
Date:	Friday, March 30, 2012	Sheet	2 of 3

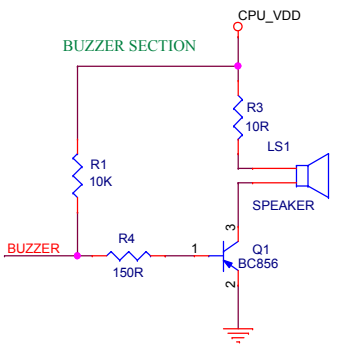
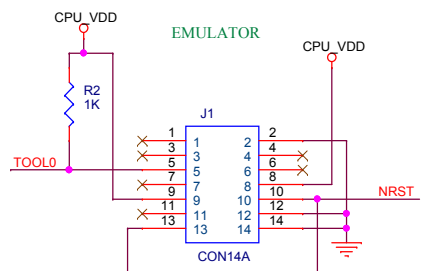
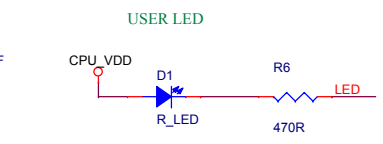
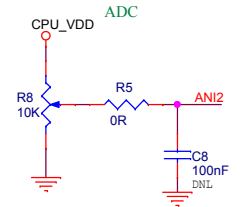
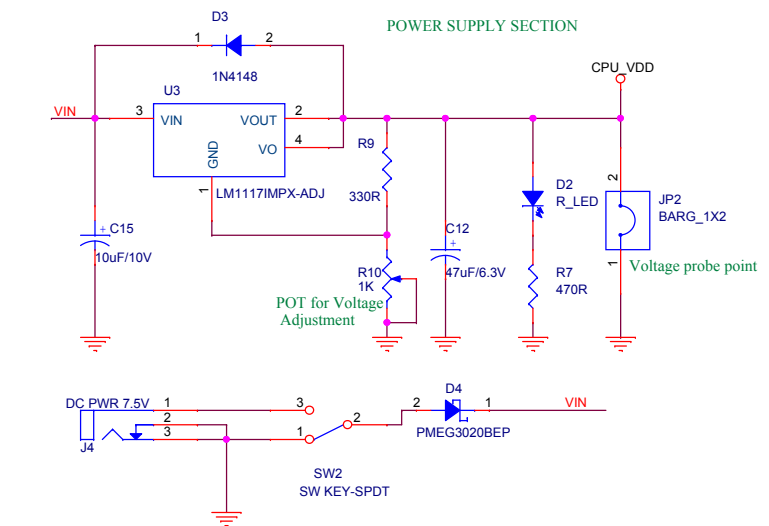
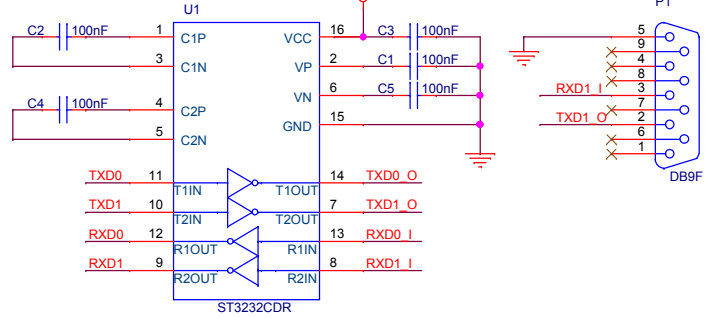
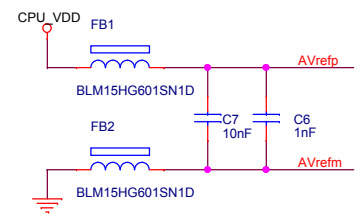
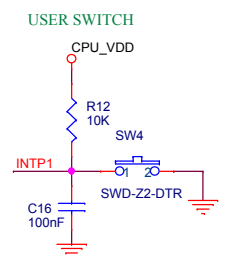
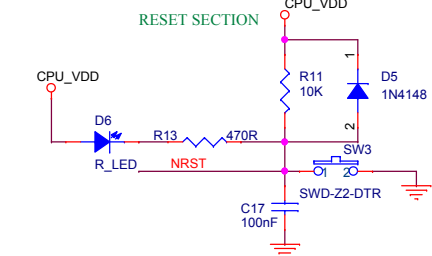
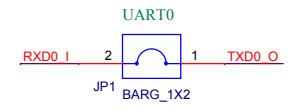
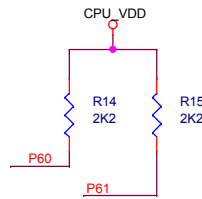
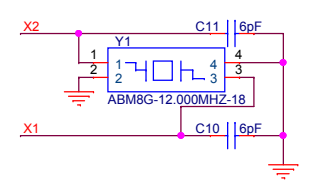
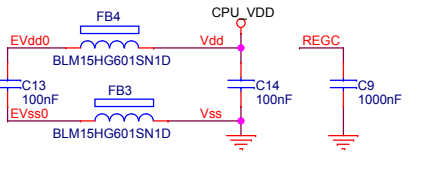
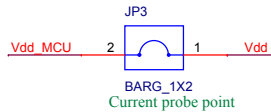
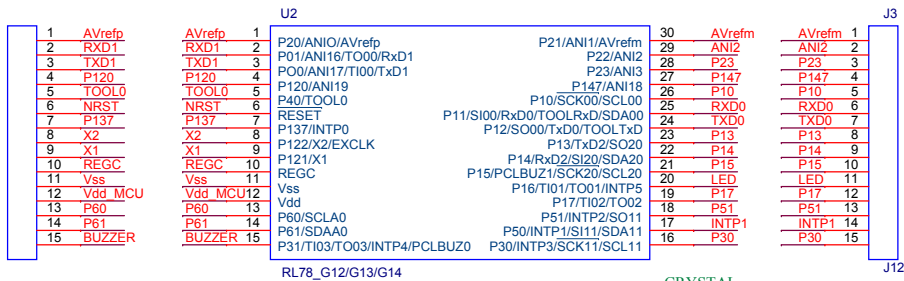
5

4

3

2

1



NGX Technologies Pvt. Ltd.		
Title: 03 RL78 TSSOP30		
Size B	Document Number <Doc>	Rev (A)
Date: Thursday, May 24, 2012	Sheet 3	of 3