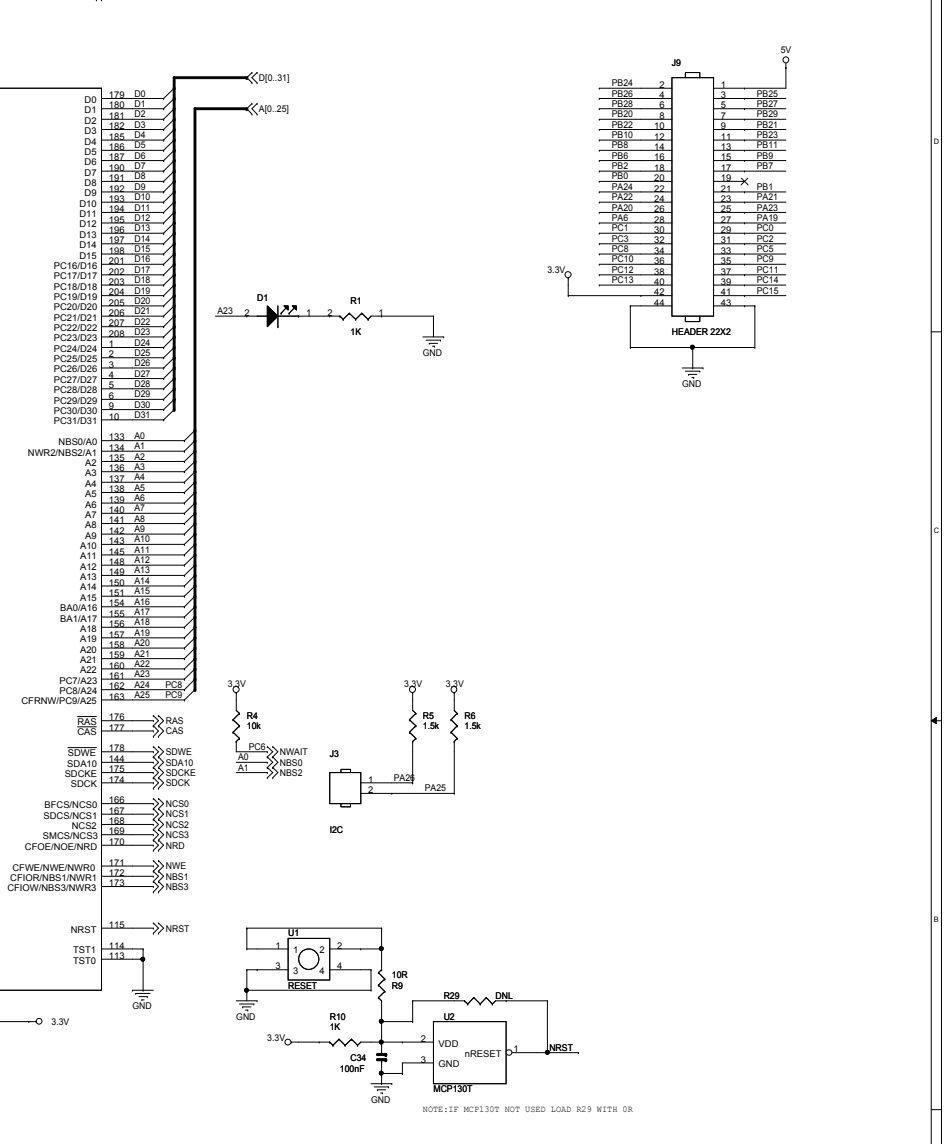
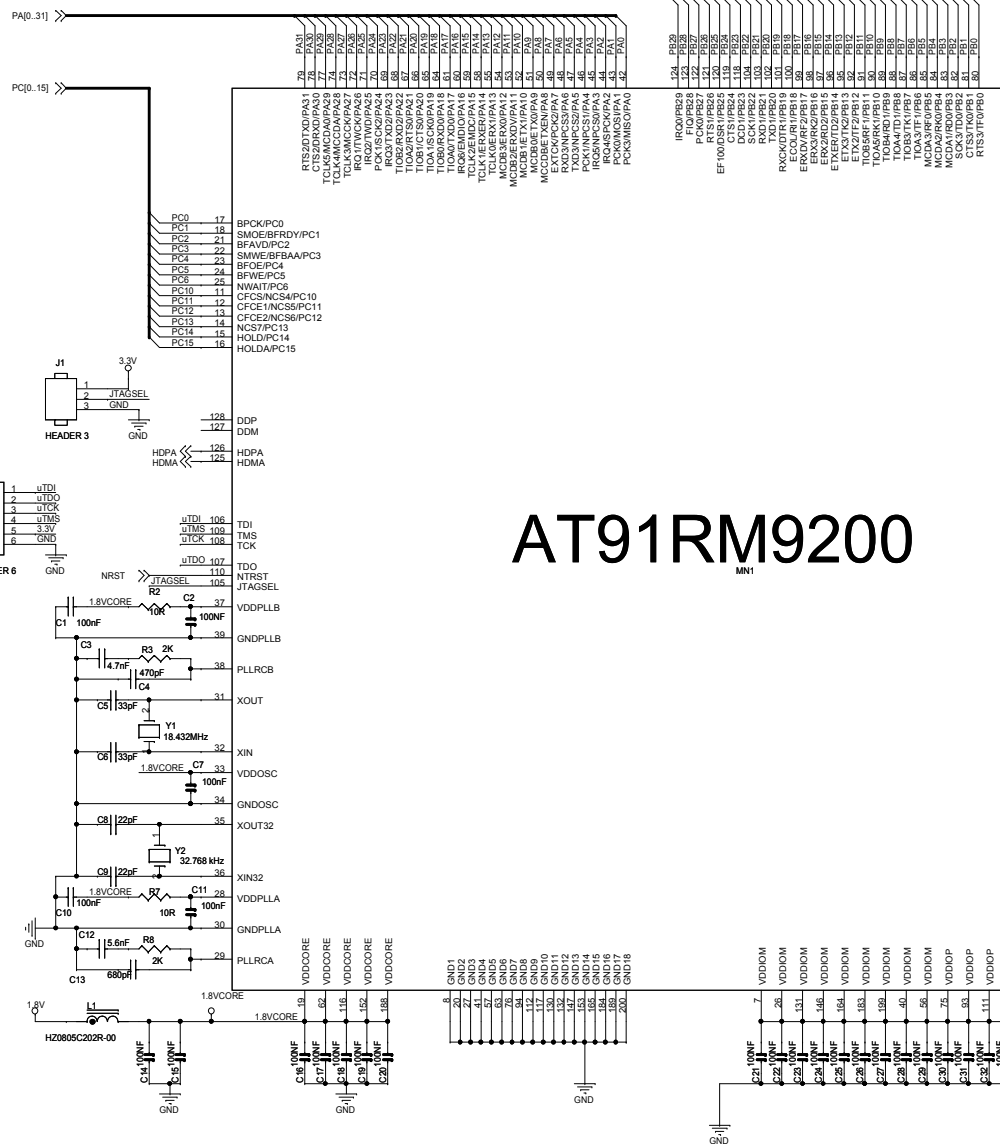
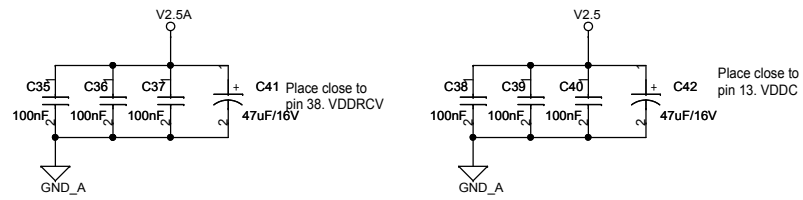


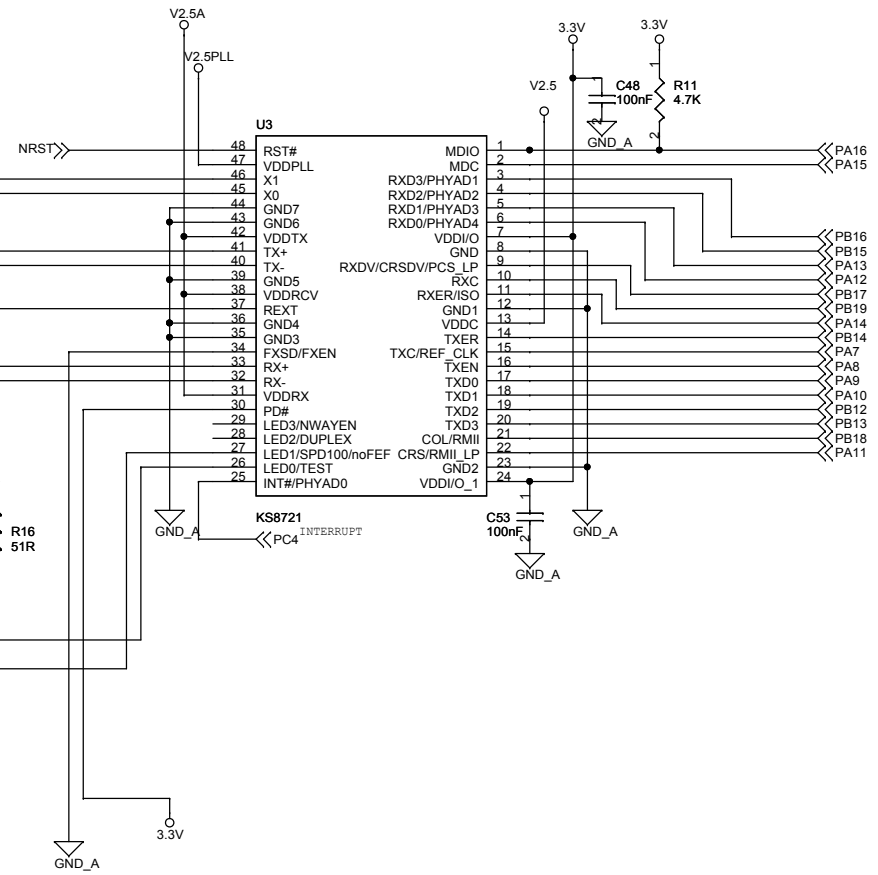
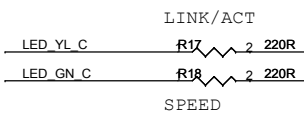
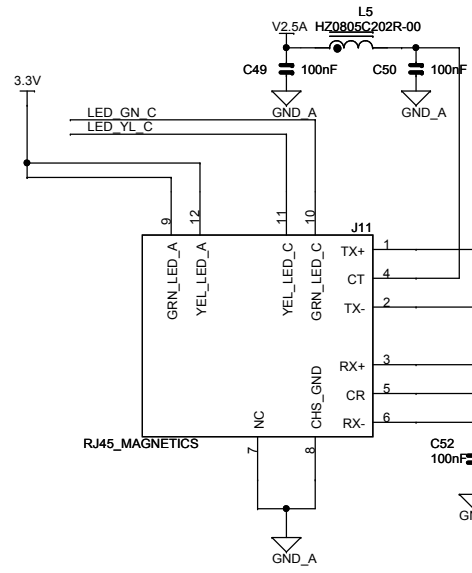
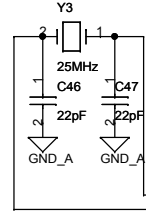
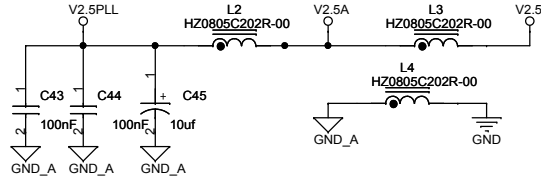
AT91RM9200

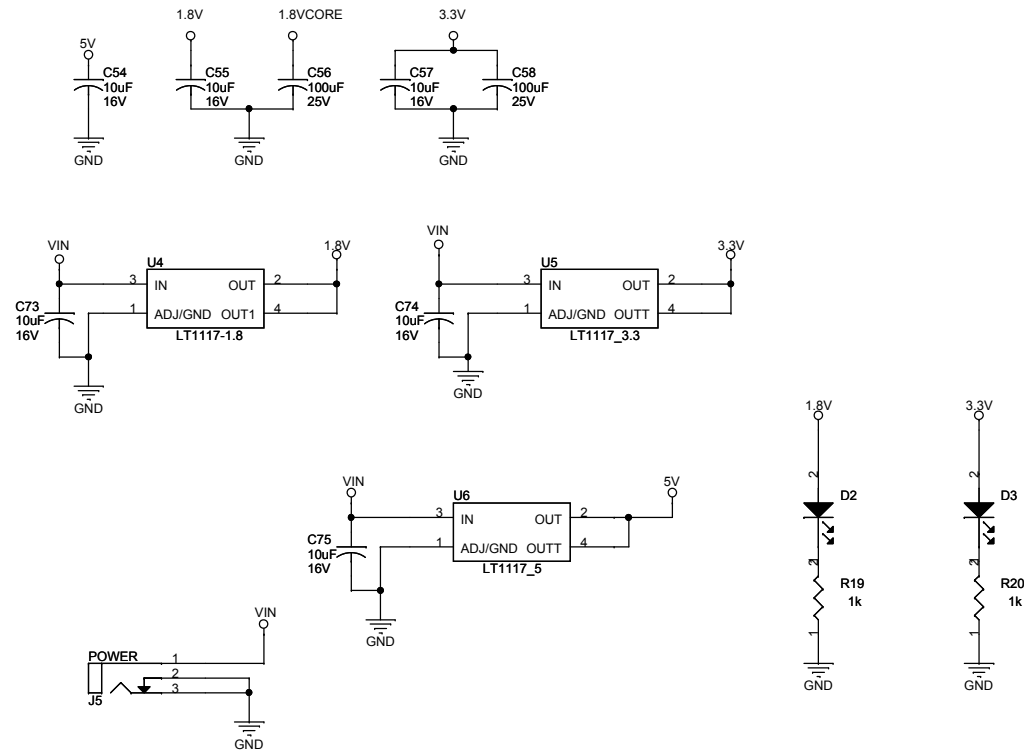
MM1



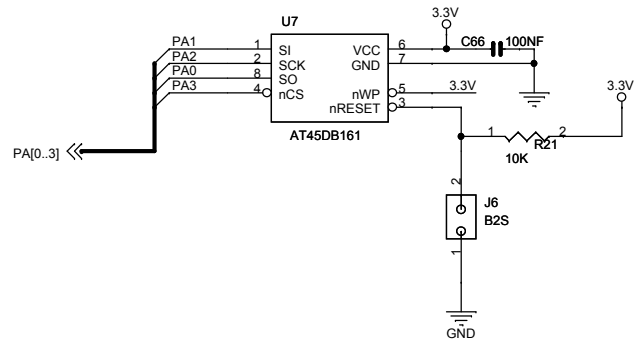
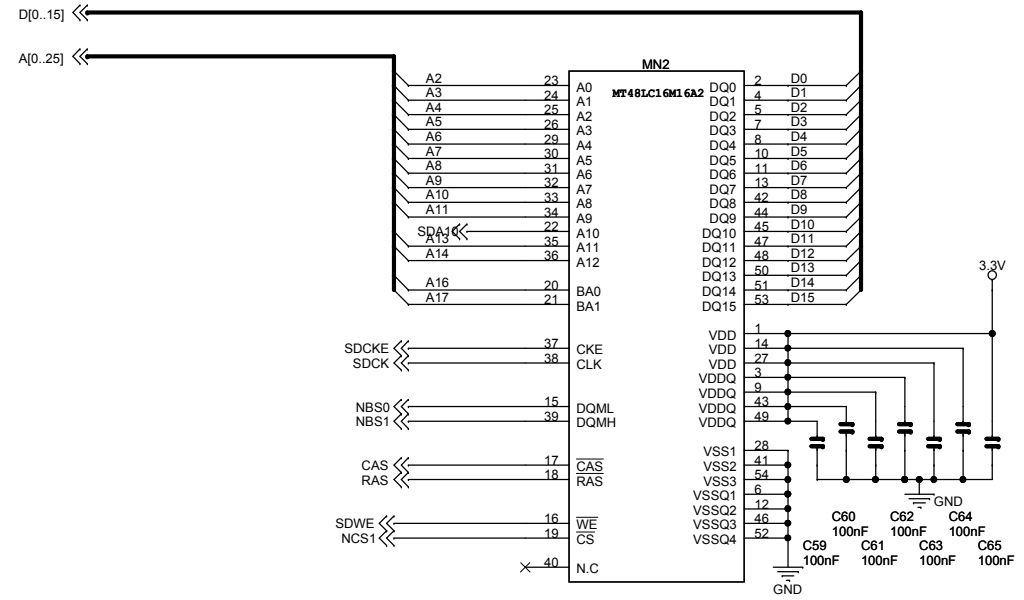


Note 1:
R2, R8, R15 and R14 should
be placed close to
KS8721BL/SL

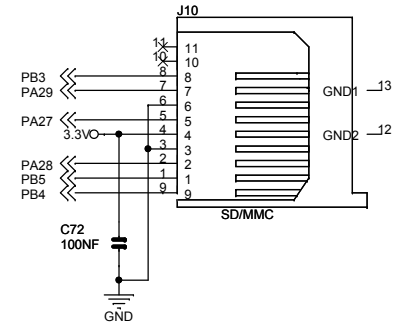
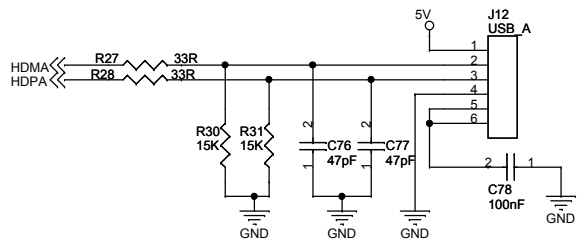
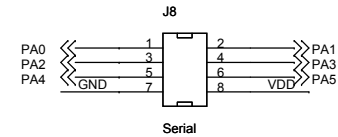
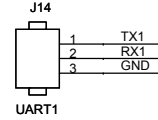
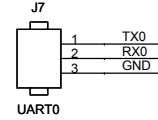
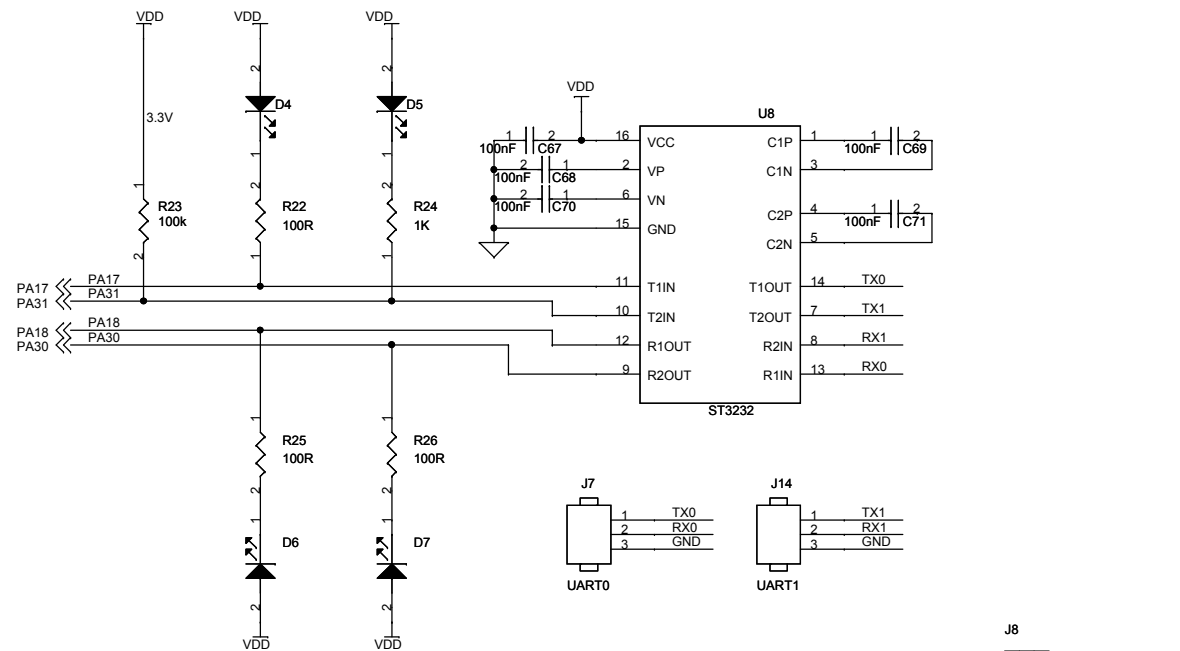




Blueboard AT91RM9200		
Title		
POWER SUPPLY		
Size B	Document Number <Doc>	Rev V2.1
Date:	Wednesday, June 02, 2010	Sheet 3 of 5



Blueboard AT91RM9200			
Title			
SDRAM_MEMORY			
Size B	Document Number		Rev V2.1
	<Doc>		
Date:	Wednesday, June 02, 2010	Sheet	4 of 5



Blueboard AT91RM9200		
Title		
SERIAL INTERFACE		
Size B	Document Number <Doc>	Rev V2.1
Date:	Wednesday, June 02, 2010	Sheet 5 of 5